

Intracranial Hemorrhage in Infants and Children With Hereditary Hemorrhagic Telangiectasia (Osler-Weber-Rendu Syndrome)

Terry Morgan, MD, PhD*; Jamie McDonald, MS, CGC‡; Christina Anderson, MD§; Magdy Ismail, MD§; Franklin Miller, MD‡; Rong Mao, MD‡; Ashima Madan, MD§; Patrick Barnes, MD||; Louanne Hudgins, MD¶; and Melanie Manning, MD¶

ABSTRACT. *Objective.* Hereditary hemorrhagic telangiectasia (HHT) is an autosomal dominant vascular dysplasia. Most cases are caused by mutations in the endoglin gene on chromosome 9 (HHT type 1) or the activin receptor-like kinase 1 gene on chromosome 12 (HHT type 2), which leads to telangiectases and arteriovenous malformations (AVM) of the skin, mucosa, and viscera. Epistaxis is the most frequent presentation. Visceral involvement includes pulmonary, gastrointestinal, and cerebral AVMs, which have been reported predominantly in adults. The purpose of this article is to describe 9 children who presented with intracranial hemorrhage (ICH) secondary to cerebral AVM. None of these children was suspected of having HHT before the incident, despite family histories of the disease.

Methods. We report the first case of an ICH secondary to a cerebral AVM in a neonate confirmed to have HHT type 1 by molecular analysis. We also describe a series of 8 additional cases of ICH secondary to cerebral AVM in children presumed to have HHT. Examination of multiple affected members from each of these families, using well-accepted published criteria, confirmed the diagnosis of HHT. In addition, genetic linkage studies and/or mutation analysis identified endoglin as the disease-causing gene in 6 of these families. Autopsy, imaging studies, and/or surgery confirmed the presence of cerebral AVMs and ICH in all 9 cases.

Conclusion. Our report shows that infants and children with a family history of HHT are at risk for sudden and catastrophic ICH. A preemptive diagnosis may potentially identify and prevent more serious sequelae. *Pediatrics* 2002;109(1). URL: <http://www.pediatrics.org/cgi/content/full/109/1/e12>; *hereditary hemorrhagic telangiectasia, intracranial hemorrhage, neonates, infants, children, linkage analysis.*

ABBREVIATIONS. HHT, hereditary hemorrhagic telangiectasia; ALK-1, activin receptor-like kinase 1; AVM, arteriovenous malformation; ICH, intracranial hemorrhage; MRI, magnetic resonance imaging; TGF- β , transforming growth factor- β .

From the *Department of Pathology, Stanford University, Stanford, California; ‡Hereditary Hemorrhagic Telangiectasia Clinic, Department of Radiology, University of Utah Health Sciences Center, Salt Lake City, Utah; §Department of Pediatrics, Division of Neonatology, Stanford University, Stanford, California; ||Department of Radiology, Stanford University, Stanford, California; and ¶Department of Pediatrics, Division of Medical Genetics, Stanford University, Stanford, California.

Received for publication Jul 31, 2001; accepted Sep 25, 2001. Reprint requests to (T.M.) Department of Pathology, Stanford University Medical Center, Stanford, CA 94305. E-mail: terrymorgan@stanford.edu
PEDIATRICS (ISSN 0031 4005). Copyright © 2002 by the American Academy of Pediatrics.

Hereditary hemorrhagic telangiectasia (HHT), also known as Osler-Weber-Rendu syndrome, is an autosomal dominant vascular dysplasia with a high degree of penetrance but extremely variable expression. It occurs in approximately 1 in 10 000 individuals.¹⁻⁴ Most cases of HHT are caused by mutations in the endoglin gene on chromosome 9⁵⁻⁷ or the activin receptor-like kinase-1 (ALK-1) gene on chromosome 12,⁸ which can lead to telangiectases and arteriovenous malformations (AVM) of the skin, mucosa, and viscera.

Epistaxis is the most frequent presentation; >90% of cases manifest by the age of 21.⁹ Telangiectases of the tongue, lips, and skin are also common. Gastrointestinal involvement presenting as hemorrhage occurs in approximately 16% of patients; half of these require transfusion.¹⁰ Additional visceral involvement includes pulmonary, hepatic, and cerebral AVMs, which have been reported predominantly in adults.^{3,10-13}

Approximately 20% of adults with HHT have cerebrovascular malformations.¹³ Most are asymptomatic, but some present with acute headache associated with intracranial hemorrhage (ICH). The prevalence of cerebrovascular malformations among children with HHT is unknown.

The purpose of this article was to describe the first molecularly confirmed case of HHT presenting with ICH secondary to a cerebral AVM in a neonate (case 1). Eight additional cases of infants and children who had a family history of HHT and presented with ICH are also described (cases 2-9).

CLINICAL REPORT

Examination of multiple affected members, using accepted published criteria,¹⁴ confirmed the diagnosis of HHT in these families. The diagnosis was made if the patient met at least 3 of the following 4 criteria: epistaxis, telangiectases, visceral lesions, and an appropriate family history. Before the ICH, none of the infants or children described in this report was suspected of having HHT.

In all, there were 6 boys and 3 girls (newborn to 16 years). Their clinical features are summarized in Table 1. Notably cases 2 to 9 were identified from a total of 106 families being treated by the HHT clinic at the University of Utah Health Sciences Center.

TABLE 1. Summary of Children Who Presented With ICH and a Family History of HHT*

Case Number	Age	Gender	AVM Confirmation	Family History	Linkage to Endoglin Gene	Outcome
1	Newborn	Male	Autopsy	Mother, uncle, maternal grandmother, maternal great-grandmother	Yes	Death
2	4 wk	Female	Autopsy	Father, 2 aunts, uncle, paternal grandfather	Yes	Death
3	6 y	Female	MRI	Mother, 2 aunts, uncle, maternal grandmother, cousins	Yes	Significant cognitive and motor impairment
4	7 y	Male	Autopsy	Mother, 2 aunts, uncle, maternal grandfather	Not tested	Death
5	10 y	Female	Autopsy	Father, brother, 2 aunts, paternal grandmother	Not tested	Death
6	10 y	Male	Surgery	Mother, paternal grandfather	Yes	Hemiparesis
7	11 y	Male	Surgery	Father, brother, 2 sisters, paternal grandfather	Yes	Significant cognitive and motor impairment
8	16 y	Male	Autopsy	Mother, maternal grandmother, 2 aunts	Yes	Death
9	16 y	Male	CT scan	Mother, aunt, maternal grandmother	Not tested	Significant cognitive and motor impairment

* Six boys and 3 girls with ICH at an average age of 8.5 years, standard deviation is 5.5 years.

CASE REPORTS

Case 1

A male neonate was born at 38.5 weeks' gestation to a primiparous 34-year-old woman with good prenatal care. He was delivered by cesarean section because of fetal bradycardia and loss of beat-to-beat fetal heart rate variability. At birth, he was pale with no muscle tone or respiratory effort. He was intubated with an endotracheal tube and received cardiopulmonary resuscitation with epinephrine, normal saline, and sodium bicarbonate. Apgar scores were 2 and 4 at 1 and 10 minutes, respectively. On examination, a full fontanelle and asymmetric pupils were noted.

The neonate was transported to a local tertiary care center. Both pupils were noted to be fixed and dilated. In addition, several small telangiectases were identified on the forehead and nape of the neck. A small telangiectasia was noted in the mucosa of the left nare. He had spontaneous respirations on the ventilator but no other spontaneous movements.

Head ultrasound showed a massive left parietal occipital hemorrhage (Fig 1A and 1B). A noncontrast head computed tomographic scan revealed a massive subdural and subarachnoid hemorrhage in the left hemisphere with extensive mass effect. A dumbbell-shaped ring enhancing lesion in the left parietal/occipital region, suspicious for an AVM, was identified (Figs 1C and 1D). Given the extent of ICH and poor neurologic status of the infant, ventilatory support was withdrawn after discussion with the family.

Autopsy confirmed the presence of an AVM in the left temporal-parietal area associated with acute subarachnoid, intraventricular, and subdural hemorrhage (Figs 2A–2C). Secondary Duret hemorrhages were identified in the brainstem, consistent with mass effect. In addition, multiple remote and subacute hemorrhages were identified in both lungs and at the gastroesophageal junction (Figs 2D–2G).

Family history was significant for the patient's mother, who had a diagnosis of HHT, presenting with occasional epistaxis, migraine headaches, and telangiectases. Other family members with HHT included her brother, mother, and maternal grandmother (Fig 3).

Molecular analysis was performed to confirm HHT in the neonate. With the family's consent, a postmortem tissue sample was taken from the proband for DNA analysis. In addition, blood samples were obtained from 4 affected and 2 unaffected family members. These samples were sent to the University of Utah DNA Diagnostic Laboratory for DNA extraction and linkage analysis.

Linkage analysis was performed on the neonate and his parents, uncle, maternal grandparents, and maternal great grandmother. Four of the 5 probes used (D9S60, D9S315, ENG-CA, and D9S61) were found to be fully informative. Linkage was established to the endoglin gene on chromosome 9, confirming the diagnosis of HHT type 1 (Fig 3). Risk calculations showed this prediction to be 99% accurate using current recombination esti-

mates. In addition to the markers examined for HHT type 1, 6 polymorphic markers were analyzed for the *ALK-1* gene (HHT type 2) on chromosome 12. There was no evidence for linkage to the *ALK-1* gene.

Case 2

A female neonate was born after an unremarkable pregnancy and delivery. Her medical history was unremarkable. In particular, there was no history of seizures, abnormal posturing, or increased fussiness. At 4 weeks of age, however, she began "screaming" while breastfeeding and turned blue. Emergency transport was called, and her mother administered cardiopulmonary resuscitation until their arrival. Emergency personnel could not revive the neonate. Autopsy attributed her death to an ICH secondary to an AVM. Her father's family had multiple members with HHT type 1 (her father, paternal grandfather, 2 aunts, and an uncle) confirmed by molecular analysis.

Case 3

A 6-year-old girl with no significant medical history presented with an ICH secondary to cerebral AVM, which was confirmed by magnetic resonance imaging (MRI). She now has significant cognitive and motor impairment.

Despite a strong family history of HHT type 1, this diagnosis previously had not been suspected in this child. Her mother, maternal grandfather, 2 aunts, 1 uncle, 4 cousins, and many additional relatives had a diagnosis of HHT with molecular confirmation of an endoglin mutation.

Case 4

A 7-year-old boy died from an ICH secondary to a cerebral AVM, which was confirmed at autopsy. He had a history of nosebleeds but no history of significant headaches, seizures, or other central nervous system manifestations. His family history included a mother, maternal grandfather, 2 aunts, and an uncle with a clinical diagnosis of HHT. Molecular analysis has not been performed.

Case 5

A 10-year-old girl with a medical history remarkable for rare episodes of epistaxis experienced an ICH secondary to an AVM, which was confirmed at autopsy. There were 4 episodes of unexplained emesis in the month before her fatal hemorrhage. She also complained of a headache the day of her death.

Despite a strong family history of HHT, this diagnosis previously had not been suspected in this child. Her brother, father, paternal grandmother, 2 aunts, and multiple extended family members on her father's side had a clinical diagnosis of HHT. Molecular analysis has not been performed.

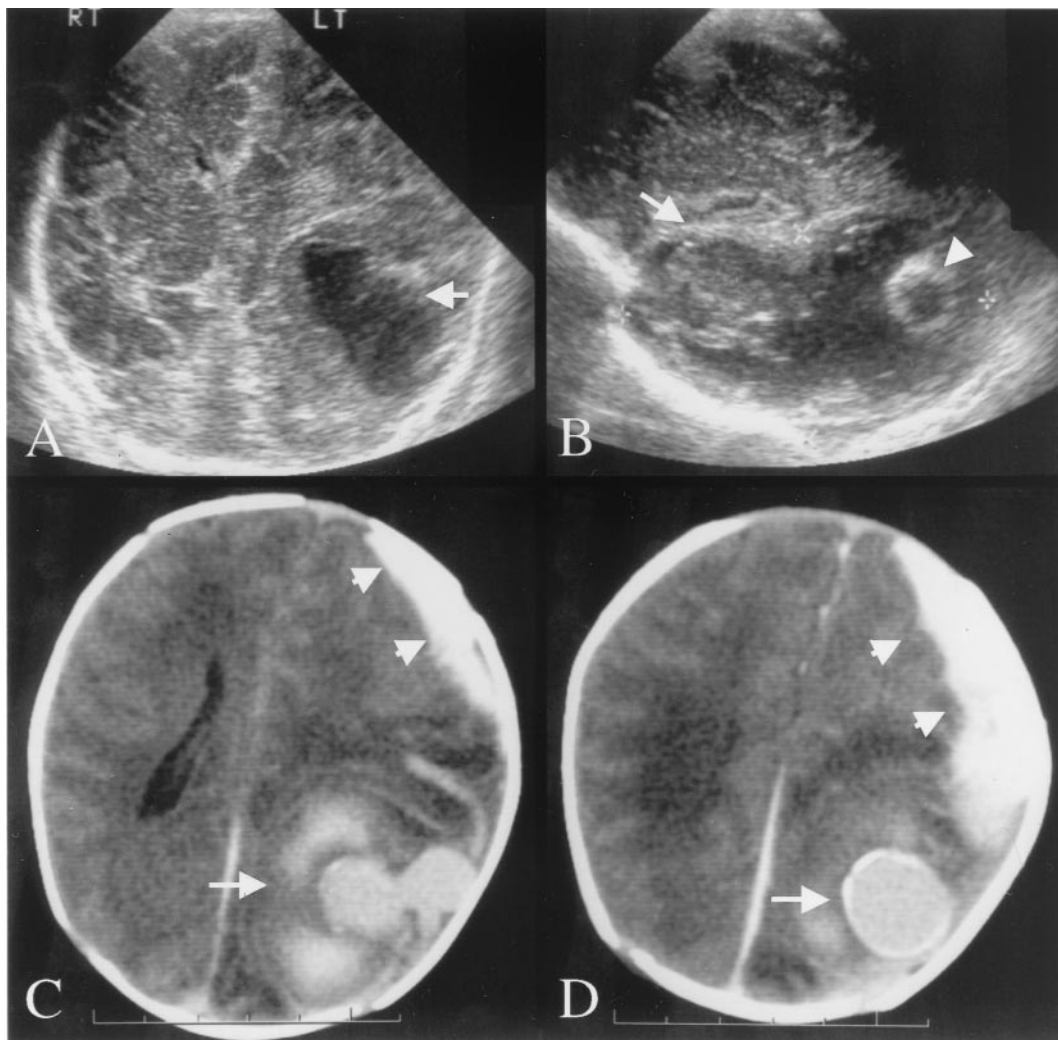


Fig 1. Imaging analysis of the head of the neonate in case 1. Ultrasound coronal (A) and sagittal (B) images show left temporoparietal mixed echogenic and echolucent abnormalities with mass effect (arrows) and more focal ring echogenicities (small arrow, B). Axial unenhanced computed tomographic scans (C and D) show corresponding nodular and linear high densities (arrows, C), surrounding low densities, ring-like calcific high densities (arrow, D), and a left frontoparietal extracerebral high-density collection (arrowheads, C and D). These findings are consistent with abnormal vascular blood-pool abnormalities (eg, vascular malformation), including arterial and venous components, aneurysmal or variceal elements, vascular wall calcification, edema, and associated intracerebral and subdural hemorrhage.

Case 6

A 10-year-old boy with a history of occasional nosebleeds suddenly developed left hemiparesis. He was transported to a hospital, where an ICH secondary to an AVM was identified and subsequently resected. He has residual left hemiparesis.

HHT previously had not been considered for this boy. His mother had received a diagnosis of HHT type 1 and died at 24 years of age from a brain abscess secondary to a pulmonary AVM. In addition, his maternal grandfather, an uncle, and multiple extended family members have a confirmed endoglin mutation.

Case 7

An 11-year-old boy presented with sudden onset ataxia while playing at the beach. He was comatose on arrival at the emergency department. An ICH secondary to an AVM was diagnosed and resected. He remained comatose for 3 months and in a rehabilitation hospital for 2 years. He currently has significant brain damage; recurrent, spontaneous epistaxis; multiple skin telangiectases; and left hemiparesis. He lives in a state institution for the handicapped and is capable of only the most basic self-care activities.

Despite a family history of HHT, this diagnosis previously had not been suspected in this child. His brother, 2 sisters, father, and paternal grandfather have HHT type 1 confirmed by molecular analysis.

Case 8

A 16-year-old boy presented with headache, vomiting, lethargy, slurred speech, and partial right-sided paralysis. He died from an ICH secondary to a cerebral AVM, which was confirmed at autopsy. His medical history was significant for spontaneous nosebleeds since early childhood and headaches beginning in elementary school. He had been described as a clumsy child and accident prone.

Despite a strong family history of HHT, this diagnosis previously had not been suspected in this child. His mother, maternal grandmother, 2 aunts, and multiple extended family members had HHT type 1, confirmed by molecular analysis. In fact, physicians had told the family that HHT was unlikely in this boy because he had a "negative physical examination."

Case 9

A 16-year-old boy with a history of intermittent epistaxis and mild headaches presented with an ICH secondary to an AVM, which was subsequently resected. He currently has significant cognitive and motor impairment.

Before the ICH, a diagnosis of HHT was not suspected in this child despite his history of nosebleeds, headaches, and a family history of HHT. HHT had been diagnosed in his mother, maternal grandmother, and an aunt. Molecular analysis has not been done.

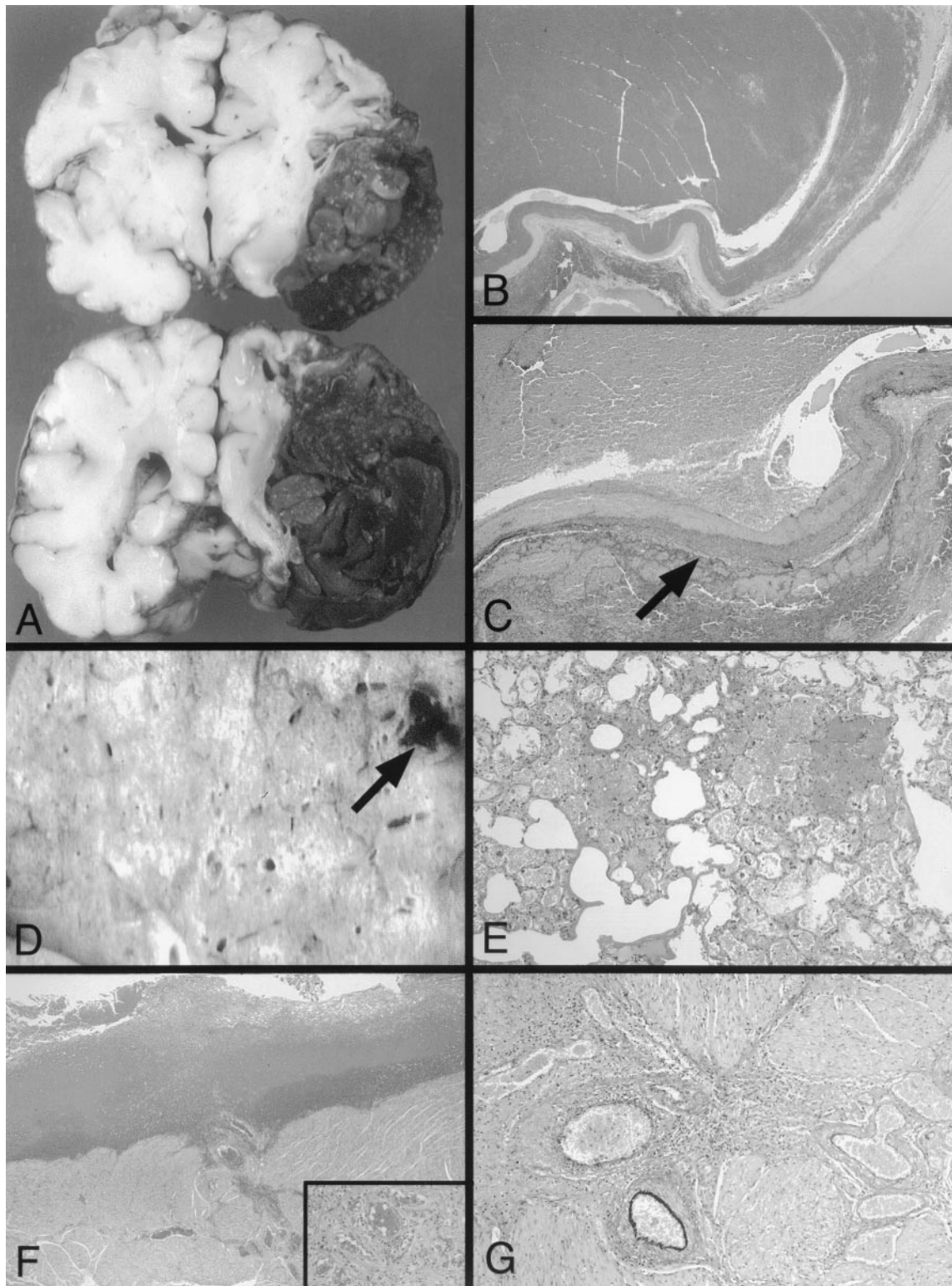


Fig 2. Autopsy of the neonate in case 1 confirms massive ICH (A) emerging from an arteriovenous malformation (B and C) in the left temporal-parietal lobe. Calcification is noted in the abnormal vessel wall. Elastin and Van Gieson stain highlights discontinuity of internal elastica (arrow). The lungs exhibit multifocal brown discoloration (D), which microscopic examination reveals as multiple subacute microhemorrhages with hemosiderin-laden macrophages (E). Gross examination of the esophagus shows multiple subacute and remote mucosal hemorrhages near the gastroesophageal junction. F, Microscopic examination confirms that the hemorrhages are associated with angiodysplasias, including capillary telangiectases (inset). G, Elastin and Van Gieson stain highlights several back-to-back blood vessels with and without an internal elastica, consistent with an arteriovenous malformation.

DISCUSSION

We report the first case of an ICH secondary to a cerebral AVM in a neonate confirmed to have HHT

by molecular analysis. In addition, we report a series of 8 infants and children, 5 boys and 3 girls ages 4 weeks to 16 years (average age: 8.5 years; standard

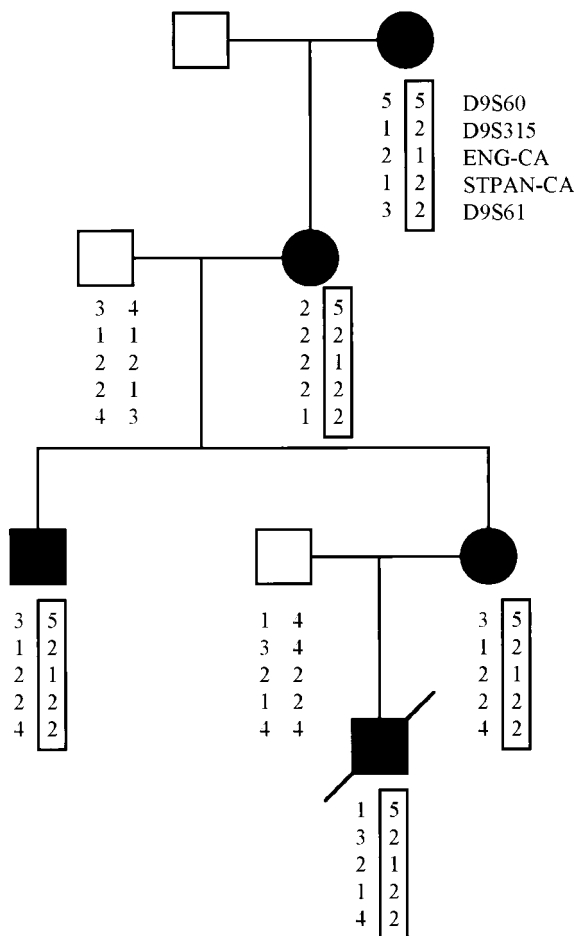


Fig 3. Linkage is established to the endoglin gene on chromosome 9 (HHT type 1) in case 1. Molecular analysis using short tandem repeat polymorphic markers D9S60, D9S315, ENG-CA, STPAN-CA, and D9S61 shows inheritance of the same haplotype containing the endoglin locus (boxed) in HHT-affected family members (blackened, including the proband). Notably, markers were also analyzed for the *ALK-1* gene on chromosome 12 (HHT type 2), and there was no evidence for linkage (data not shown).

deviation: 5.5 years), who also presented with ICH secondary to cerebral AVMs. Before these hemorrhages, none of the children was suspected of having HHT, despite a family history of the disease. Our report demonstrates that infants and children with a family history of HHT are at risk for sudden and catastrophic ICH. Therefore, a preemptive diagnosis of HHT and screening for cerebral AVMs may potentially identify and prevent more serious sequelae.

Unfortunately, HHT is often difficult to diagnose on the basis of history and physical examination alone, especially in infants and children. The signs and symptoms of HHT are nonspecific and even within families are extremely variable.

The most common feature and typical presenting sign of HHT is recurrent epistaxis. Nosebleeds are common in childhood, however, and family members with recurrent epistaxis may also discount them as being normal. Although 80% to 90% of patients with HHT will demonstrate recurrent epistaxis by 21 years of age,^{9,15} most do not have nosebleeds in the first decade of life.³

Cutaneous manifestations, in the form of telangi-

ectases of the lips, palms, nail beds, tongue, ears, or face, are the next most common disease manifestation. Cutaneous manifestations are unusual in children. They typically present later than epistaxis, in the second or third decade of life.³ By age 40, most individuals will have visible telangiectases.¹⁵

Visceral involvement, specifically gastrointestinal, does not usually manifest until the fifth or sixth decade.¹⁵ Although rare, there have been reports of infants and children with HHT presenting with visceral involvement more commonly seen in adults. Cases involving the lungs, gastrointestinal tract, and urinary tract have been described, which predated epistaxis or cutaneous lesions in these children.^{16–21}

Patients with HHT have an increased risk of having AVMs compared with the general population. The prevalence of cerebrovascular malformations in adults with HHT is approximately 23%.¹³ Fulbright et al¹³ reviewed brain MRI scans of 184 consecutive patients with HHT. They found 63 vascular malformations in 42 patients, a prevalence of 23% (42 of 184) but concluded that MRI may underestimate the prevalence of cerebrovascular malformations in these patients. True AVMs were identified in 5% of the patients studied. The prevalence of cerebrovascular malformations in children is unknown, but there are a number of case reports in the literature (Table 2).^{22–39} Human and animal studies suggest that these vascular malformations are a consequence of abnormal arteriovenous connections that fail to differentiate properly.^{40–42} Therefore, if cerebrovascular malformations are a congenital malformation in children with HHT, then the prevalence may approximate that of adults (23%).

The risk of ICH in infants and children with HHT is uncertain. A recent study by Maher et al⁴³ showed that only 7 of 321 patients who had HHT and were seen at the Mayo Clinic during a 20-year period presented with ICH (2.1%). Their data suggest that the risk of ICH is low. Therefore, they suggest that routine screening imaging studies of asymptomatic HHT patients is probably not indicated. However, other studies have shown that the risk of ICH from unruptured AVMs is 2% to 4% per year.^{44–46} If the prevalence of AVMs in patients with HHT is between 5% and 11%,^{13,33} and the annual risk of ICH in these patients is also 2% to 4%, then the anticipated risk of hemorrhage during a 20-year period (2%–8%) may be greater than that reported by Maher et al. In light of the dire consequences of ICH in infants and children with HHT, as shown by our study and those of others, compared with the “good functional outcome after hemorrhage” reported for adults in the study by Maher et al, the application of these estimates to infants and children with HHT is unclear. Until more data are collected about the prevalence of AVMs and the risk of ICH in this pediatric population, we recommend screening all children who are considered to be at high risk for HHT.

Our report also highlights the risk of ICH in neonates with a family history of HHT. We describe 2 neonates who died because of massive ICH secondary to cerebral AVMs (cases 1 and 2). There are also a few case reports in the literature.^{22,30,47} These case

TABLE 2. Summary of Reported Children With Cerebral AVMs and a Family History of HHT*

Report	Age	Gender	AVM Confirmation	Family History	Outcome
Quickel and Whatey ³⁷	17 y	Male	Angiography	Mother, siblings	Recovered
Boynton and Morgan ²²	Newborn	Female	Angiography	Father	Death
Jacques et al ³⁴	8 y	Female	Angiography	Positive	Recovered
Waller et al ³⁶	12 y	Female	Angiography	Father	Asymptomatic
Adams et al ³⁵	14 y	Male	Angiography	Positive	Hemiplegia, global aphasia
Reddy et al ³⁹	16 y	Female	Angiography	Positive	Recovered
Roy et al ²³	6 wk	Male	Surgery	Mother, sister	Death
Willinsky et al ⁵⁵	7 y	Female	Angiography	Positive	Unknown
John ²⁴	7 y	Female	Angiography	Mother, sibling	Recovered
Iizuka et al ³¹	6 y	Female	Angiography	Positive	Recovered
Jessurun et al ³⁸	13 y	Male	Angiography	Positive	Death
Kadoya et al ²⁵	6 y	Male	Angiography	Father, uncle	Recovered
Kikuchi et al ²⁶	2 y	Female	CT	Mother	Recovered
Kikuchi et al ²⁶	7 y	Male	Angiography	Mother	Recovered
Kikuchi et al ²⁶	16 y	Female	Angiography	Positive	Recovered
Garcia-Monaco et al ³²	6 y	Female	Angiography	Positive	Recovered
Garcia-Monaco et al ³²	15 y	Male	Angiography	Positive	Recovered
Garcia-Monaco et al ³²	11 y	Female	Angiography	Positive	Recovered
Garcia-Monaco et al ³²	9 y	Male	Angiography	Positive	Death
Putman et al ²⁷	6 wk	Female	MRI	Positive	Visual field defect
Putman et al ²⁷	9 y	Male	MRI	Positive	No impairment
Coubes et al ²⁸	13 y	Female	MRI	Mother	Recovered
Bourdeau et al ³⁰	Newborn	Male	Autopsy	Father	Death
Willemse et al ³³	14 y	Male	Angiography	Positive	Recovered

* In many of these papers, a "positive" family history of HHT was reported, but relatives were not specified. The average age of AVM confirmation was 8.5 years, standard deviation is 5.5 years, in 11 boys and 13 girls.

studies suggest that prenatal diagnosis may be a consideration in families with HHT. Prenatal imaging studies, including sonography and MRI, may assist in ruling out large internal AVMs or detecting vascular dysplasias that may suggest the diagnosis of HHT. Similar to our case 1, however, definitive diagnosis depends on molecular analysis. Amniocentesis or chorionic villous sampling may obtain tissue for DNA extraction. Unfortunately, because of the genetic heterogeneity of HHT and the lack of common mutations, diagnostic DNA testing is limited to linkage analysis, which requires multiple affected family members from at least 2 generations.

The genetic heterogeneity of this disease was shown by several groups, which have demonstrated that at least 2 genes and many different mutations can cause HHT.^{5–8,48,49} Linkage was originally established in some families to markers on chromosome 9 (9q33–q34).^{6,7} Subsequent investigation by McAllister et al⁵ led to the identification of "endoglin" as the causative gene. Endoglin is a transforming growth factor- β (TGF- β) binding protein, which plays an important role in the TGF- β receptor complex. These factors regulate differentiation, growth, tissue remodeling, motility, wound repair, and programmed cell death.⁵⁰

Some families have mutations in a different gene. This second locus for HHT is located on chromosome 12 (12q13) and is named *ALK-1*.^{4,8,51} This form of the disease, HHT type 2, is suspected to have a decreased incidence of pulmonary AVMs^{48,52,53} but has been shown to be associated with the same visceral AVMs as HHT type 1.⁴⁹ *ALK-1* is also part of the TGF- β complex.⁵⁴

Because molecular analysis is not available on a routine clinical basis, the diagnosis in most families relies on physical examination and history. As we

have shown, a routine physical examination and family history may not be sufficient to diagnose HHT in a child. A detailed and targeted family history may be required. The family history should include questions about recurrent epistaxis, telangiectases, migraines, seizures, internal bleeding, and surgery for vascular malformations. A family history of HHT, especially if a parent is affected, should raise the suspicion of HHT in the child (autosomal dominant inheritance; therefore, 50% risk of having HHT for each child).

CONCLUSION

Our report and review of the literature shows that infants and children with a family history of HHT are at risk for sudden and catastrophic ICH. A pre-emptive diagnosis of HHT in childhood may potentially identify and prevent more serious sequelae. Screening for cerebrovascular malformations should be performed in all children who are considered to be at high risk for HHT. In addition, DNA diagnosis should be recommended to all at-risk family members when testing becomes more practical and widely available.

ACKNOWLEDGMENTS

We gratefully acknowledge the families reported in these cases for their cooperation. We also thank Dr Kenneth Ward and the University of Utah DNA diagnostic laboratory for performing the genetic analysis.

REFERENCES

1. Marchuk D, Guttmacher A, Penner J, Ganguly P. Report on the workshop on hereditary hemorrhagic telangiectasia, July 10–11, 1997. *Am J Med Genet.* 1998;76:269–273
2. Kjeldsen AD, Vase P, Green A. Hereditary haemorrhagic telangiectasia: a population-based study of prevalence and mortality in Danish patients. *J Intern Med.* 1999;245:31–39

3. Plauchu H, Chadarevian JD, Bideau A, Robert J. Age-related clinical profile of hereditary hemorrhagic telangiectasia in an epidemiologically recruited population. *Am J Med Genet.* 1989;32:291–297
4. Vincent P, Plauchu H, Hazan J, et al. A third locus for hereditary hemorrhagic telangiectasia maps to chromosome 12q. *Hum Mol Genet.* 1995;4:945–949
5. McAllister K, Grogg K, Johnson D, et al. Endoglin, a TGF- β binding protein of endothelial cells, is the gene for hereditary hemorrhagic telangiectasia type 1. *Nat Genet.* 1994;8:345–351
6. McDonald MT, Papenberg KA, Ghosh S, et al. A disease locus for hereditary haemorrhagic telangiectasia maps to chromosome 9q33–34. *Nat Genet.* 1994;6:197–204
7. Shovlin CL, Hughes JM, Tuddenham EG, et al. A gene for hereditary haemorrhagic telangiectasia maps to chromosome 9q3. *Nat Genet.* 1994; 6:205–209
8. Johnson D, Berg J, Baldwin M, et al. Mutations in the activin receptor-like kinase 1 gene in hereditary hemorrhagic telangiectasia type 2. *Nat Genet.* 1996;13:189–195
9. Aassar O, Friedman C, White R. The natural history of epistaxis in hereditary hemorrhagic telangiectasia. *Laryngoscope.* 1991;101:977–980
10. Porteous ME, Burn J, Proctor SJ. Hereditary haemorrhagic telangiectasia: a clinical analysis. *J Med Genet.* 1992;29:527–530
11. Halpern M, Turner A, Citron B. Hereditary hemorrhagic telangiectasia. A visceral angiodyplasia associated with gastrointestinal hemorrhage. *Radiology.* 1968;90:1143–1149
12. Vase P, Grove O. Gastrointestinal lesions in HHT. *Gastroenterology.* 1986;91:1079–1081
13. Fulbright R, Chaloupka J, Putman C, et al. MR of hereditary hemorrhagic telangiectasia: prevalence and spectrum of cerebrovascular malformations. *AJNR Am J Neuroradiol.* 1998;19:477–484
14. Shovlin CL, Guttmacher AE, Buscarini E, et al. Diagnostic criteria for hereditary hemorrhagic telangiectasia (Rendu-Osler-Weber syndrome). *Am J Med Genet.* 2000;91:66–67
15. Guttmacher A, Marchuk D, White R. Hereditary hemorrhagic telangiectasia. *N Engl J Med.* 1995;333:918–924
16. Hodgson C, Burchell H, Good C, Clagett O. Hereditary hemorrhagic telangiectasia and pulmonary arteriovenous fistula. *N Engl J Med.* 1959; 261:625–636
17. Cos L, Rabinowitz R, Bryson M, et al. Hereditary hemorrhagic telangiectasia of the bladder in a child. *Urology.* 1982;20:302–304
18. Reyes-Mujica M, Lopez-Corella E, Perez-Fernandez C, et al. Osler-Weber-Rendu disease in an infant. *Hum Pathol.* 1988;19:1243–1246
19. Cynamon H, Milov D, Andres J. Multiple telangiectases of the colon in childhood. *J Pediatr.* 1988;112:928–930
20. Allen S, Whitfield J, Clarke D, et al. Pulmonary arteriovenous malformation in the newborn: a familial case. *Pediatr Cardiol.* 1993;14:58–61
21. Bross D, Perez-Atayde A, Mandell V, et al. Hereditary hemorrhagic telangiectasia presenting in early childhood. *J Pediatr Gastroenterol Nutr.* 1994;18:497–500
22. Boynton R, Morgan B. Cerebral arteriovenous fistula with possible hereditary telangiectasia. *Am J Dis Child.* 1973;125:99–101
23. Roy C, Nosedá G, Arzimanoglou A, et al. [Rendu Osler disease revealed by ruptured cerebral arterial aneurysm in an infant]. *Arch Fr Pediatr.* 1990;47:741–742
24. John P. Early childhood presentation of neurovascular disease in hereditary hemorrhagic telangiectasia. *Pediatr Radiol.* 1992;22:140–141
25. Kadoya C, Momota Y, Ikegami Y, et al. Central nervous system arteriovenous malformations with hereditary hemorrhagic telangiectasia: report of a family with three cases. *Surg Neurol.* 1994;42:234–239
26. Kikuchi K, Kowada M, Sasajima H. Vascular malformations of the brain in hereditary hemorrhagic telangiectasia (Rendu-Osler-Weber disease). *Surg Neurol.* 1994;41:374–380
27. Putman C, Chaloupka J, Fulbright R, et al. Exceptional multiplicity of cerebral arteriovenous malformations associated with hereditary hemorrhagic telangiectasia (Osler-Weber-Rendu Syndrome). *AJNR Am J Neuroradiol.* 1996;17:1733–1742
28. Coubes P, Humbertclaude V, Rodesch G, et al. Total endovascular occlusion of a giant direct arteriovenous fistula in the posterior fossa in a case of Rendu-Osler-Weber disease. *Childs Nerv Syst.* 1996;12:785–788
29. Matsubara S, Manzia JL, ter Brugge K, et al. Angiographic and clinical characteristics of patients with cerebral arteriovenous malformations associated with hereditary hemorrhagic telangiectasia. *AJNR Am J Neuroradiol.* 2000;21:1016–1020
30. Bourdeau A, Cymerman U, Paquet M-E, et al. Endoglin expression is reduced in normal vessels but is still detectable in arteriovenous malformations of patients with hereditary hemorrhagic telangiectasia type I. *Am J Pathol.* 2000;156:911–923
31. Iizuka Y, Garcia-Monaco R, Alvarez H, et al. Multiple cerebral arteriovenous shunts in children: report of 13 cases. *Childs Nerv Syst.* 1992;8: 437–444
32. Garcia-Monaco R, Taylor W, Rodesch G, et al. Pial arteriovenous fistula in children as presenting manifestation of Rendu-Osler-Weber disease. *Neuroradiology.* 1995;37:60–64
33. Willemsse RB, Mager JJ, Westermann CJJ, et al. Bleeding risk of cerebrovascular malformations in hereditary hemorrhagic telangiectasia. *J Neurosurg.* 2000;92:779–784
34. Jacques S, Garner JT, Sheldon H, et al. Hereditary hemorrhagic telangiectasia: a case report with known cerebral involvement and cardiac catheterization data. *Clin Pediatr.* 1975;14:1031–1036
35. Adams HP Jr, Subbiah B, Bosch EP. Neurologic aspects of hereditary hemorrhagic telangiectasia. *Arch Neurol.* 1977;34:101–104
36. Waller JD, Greenberg JH, Lewis CW. Hereditary hemorrhagic telangiectasia with cerebrovascular malformations. *Arch Dermatol.* 1976;112: 49–52
37. Quickel KE, Whaley RJ. Subarachnoid hemorrhage in a patient with hereditary hemorrhagic telangiectasia. *Neurology.* 1967;17:716–719
38. Jessurun GAJ, Kamphius DJ, van der Zande FHR, Nossent JC. Cerebral arteriovenous malformations in the Netherlands Antilles: high prevalence of hereditary hemorrhagic telangiectasia-related single and multiple cerebral arteriovenous malformations. *Clin Neurol Neurosurg.* 1993; 95:193–198
39. Reddy K, West M, McClarty B. Multiple intracerebral arteriovenous malformations: a case report and literature review. *Surg Neurol.* 1987; 27:495–499
40. Bird R, Jaques W. Vascular lesions of hereditary hemorrhagic telangiectasia. *N Engl J Med.* 1959;260:597–599
41. Albert P. Personal experience in the treatment of 178 cases of arteriovenous malformations of the brain. *Acta Neurochir (Wein).* 1982;61:207–226
42. Li D, Sorensen L, Brooke B, et al. Defective angiogenesis in mice lacking endoglin. *Science.* 1999;284:1534–1537
43. Maher C, Peigras D, Brown R, Friedman J, Pollock B. Cerebrovascular manifestations in 321 cases of hereditary hemorrhagic telangiectasia. *Stroke.* 2001;32:877–882
44. Jane J, Kassell N, Torner J, Winn H. The natural history of aneurysms and arteriovenous malformations. *J Neurosurg.* 1985;62:321–323
45. Crawford P, West C, Chadwick D, Shaw M. Arteriovenous malformations of the brain: natural history in unoperated patients. *J Neurol Neurosurg Psychiatry.* 1986;49:1–10
46. Brown R, Weibers D, Forbes G, et al. The natural history of unruptured intracranial arteriovenous malformations. *J Neurosurg.* 1988;68:353–357
47. Snyder L, Doan C. Clinical and experimental studies in human inheritance: is the homozygous form of multiple telangiectasia lethal? *J Lab Clin Med.* 1944;29:1211–1216
48. McAllister K, Lennon F, Bowles-Biesecker B, et al. Genetic heterogeneity in hereditary hemorrhagic telangiectasia: possible correlation with clinical phenotype. *J Med Genet.* 1994;31:927–932
49. McDonald JE, Miller FJ, Hallam SE, et al. Clinical manifestations in a large hereditary hemorrhagic telangiectasia (HHT) type 2 kindred. *Am J Med Genet.* 2000;93:320–327
50. Massague J, Attisano L, Wrana J. The TGF- β family and its composite receptors. *Trends Cell Biol.* 1994;4:172–178
51. Berg J, Gallione C, Stenzel T, et al. The activin receptor like kinase 1 gene: genomic structure and mutations in hereditary hemorrhagic telangiectasia type 2. *Am J Hum Genet.* 1997;61:60–67
52. Heutink P, Haitjema T, Breedveld G, et al. Linkage of hereditary hemorrhagic telangiectasia to chromosome 9q34 and evidence for locus heterogeneity. *J Med Genet.* 1994;31:933–936
53. Porteous M, Curtis A, Williams O, et al. Genetic heterogeneity in hereditary hemorrhagic telangiectasia. *J Med Genet.* 1994;31:925–926
54. Abdalla SA, Pece-Barbara N, Vera S, et al. Analysis of ALK-1 and endoglin in newborns from families with hereditary hemorrhagic telangiectasia type 2. *Hum Mol Genet.* 2000;9:1227–1237
55. Willinsky RA, Lasjaunias P, Terbrugge K, Burrows P. Multiple cerebral arteriovenous malformations (AVMs). Review of our experience from 203 patients with cerebral vascular lesions. *Neuroradiology.* 1990;32: 207–210

Intracranial Hemorrhage in Infants and Children With Hereditary Hemorrhagic Telangiectasia (Osler-Weber-Rendu Syndrome)

Terry Morgan, Jamie McDonald, Christina Anderson, Magdy Ismail, Franklin Miller, Rong Mao, Ashima Madan, Patrick Barnes, Louanne Hudgins and Melanie Manning

Pediatrics 2002;109:e12

DOI: 10.1542/peds.109.1.e12

Updated Information & Services	including high resolution figures, can be found at: http://pediatrics.aappublications.org/content/109/1/e12
References	This article cites 55 articles, 11 of which you can access for free at: http://pediatrics.aappublications.org/content/109/1/e12#BIBL
Subspecialty Collections	This article, along with others on similar topics, appears in the following collection(s): Fetus/Newborn Infant http://www.aappublications.org/cgi/collection/fetus:newborn_infant_sub Hematology/Oncology http://www.aappublications.org/cgi/collection/hematology:oncology_sub
Permissions & Licensing	Information about reproducing this article in parts (figures, tables) or in its entirety can be found online at: http://www.aappublications.org/site/misc/Permissions.xhtml
Reprints	Information about ordering reprints can be found online: http://www.aappublications.org/site/misc/reprints.xhtml

American Academy of Pediatrics

DEDICATED TO THE HEALTH OF ALL CHILDREN™



PEDIATRICS®

OFFICIAL JOURNAL OF THE AMERICAN ACADEMY OF PEDIATRICS

Intracranial Hemorrhage in Infants and Children With Hereditary Hemorrhagic Telangiectasia (Osler-Weber-Rendu Syndrome)

Terry Morgan, Jamie McDonald, Christina Anderson, Magdy Ismail, Franklin Miller, Rong Mao, Ashima Madan, Patrick Barnes, Louanne Hudgins and Melanie Manning

Pediatrics 2002;109:e12

DOI: 10.1542/peds.109.1.e12

The online version of this article, along with updated information and services, is located on the World Wide Web at:

<http://pediatrics.aappublications.org/content/109/1/e12>

Pediatrics is the official journal of the American Academy of Pediatrics. A monthly publication, it has been published continuously since 1948. Pediatrics is owned, published, and trademarked by the American Academy of Pediatrics, 141 Northwest Point Boulevard, Elk Grove Village, Illinois, 60007. Copyright © 2002 by the American Academy of Pediatrics. All rights reserved. Print ISSN: 1073-0397.

American Academy of Pediatrics

DEDICATED TO THE HEALTH OF ALL CHILDREN™

